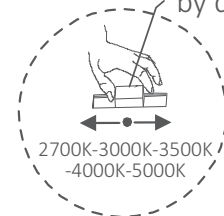




Color Adjustable by dip switch



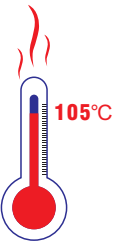
Color Adjustable





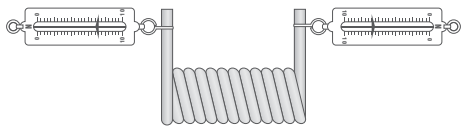
Features

- Super slim lamp body, 1/2 inch high;
- The diffuser plate adopt double-sided frosted plate, more uniform light;
- The frame adopt ADC 12, better cooling effect; adopt low-power large LEDs, and LEDs work in low temperature;
- The back cover adopt bending, powder spraying; consistent whole effect, and prevent light-leaking;
- The driver is designed with high PF (PF > 0.9) and is dimmable with most regular dimmers, dimming range up to 10%-100%.



The Design for Lamp

- Great spring elasticity, **6N-8N** force.



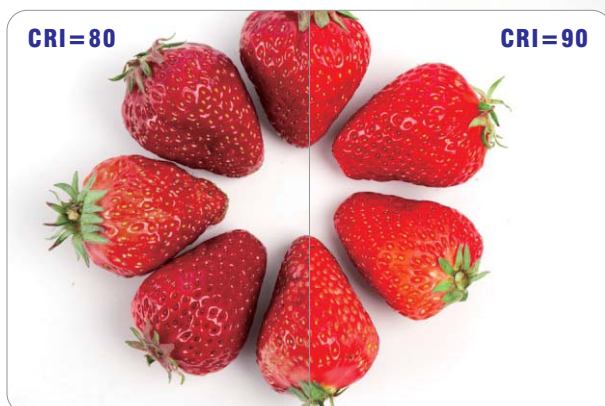
- Super slim lamp body **0.45 inch** thickness,

- Acrylic light guide, laser dotting, **no yellowing**, long life span.

- Adopt edge-lit tech, visual uniformity, **CRI up to 90**.

- The Cable is High fire rating FT1, temperature resistance up to 105°C.

- Waterproof ring for use in **wet location**.



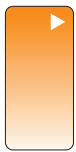
- Connector with strain relief design.





The Design for Power Supply

- Buckle design of junction box, easy to open.
- Big wiring space, J-box VOL **7.6 in³**, maximum of (5)NO 12 AWG or (7) NO 14 AWG Conductors.
- 3 connectors available each lamp for AWG 12 to AWG 20 Cable.
- Strain relief design at outlet.
- 5 optional color temperatures adjustable.
- Reserve screw holes for easy fixing on any ceiling.



2700K
3000K
3500K
4000K
5000K



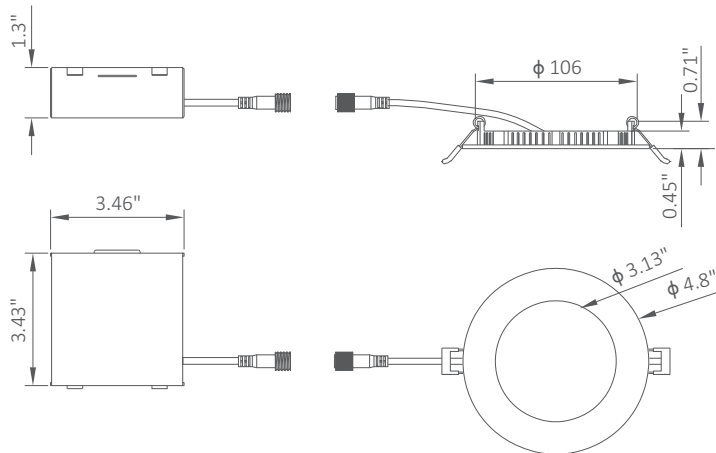
Specifications

Model	Color	CCT	Luminous flux (±10%)	Power (W)	Cutout size	Beam angle	Input Voltage	LED type	CRI	IP	PF
DLH-4-9W-CCT5-DW1	5 CCT adjustable	2700K	540-580	9W	φ 4.33 inch	110°	90-130VAC	2835	> 90	IP44	> 0.9
DLH-6-12W-CCT5-DW1		3000K									
		3500K									
		4000K									
		5000K									

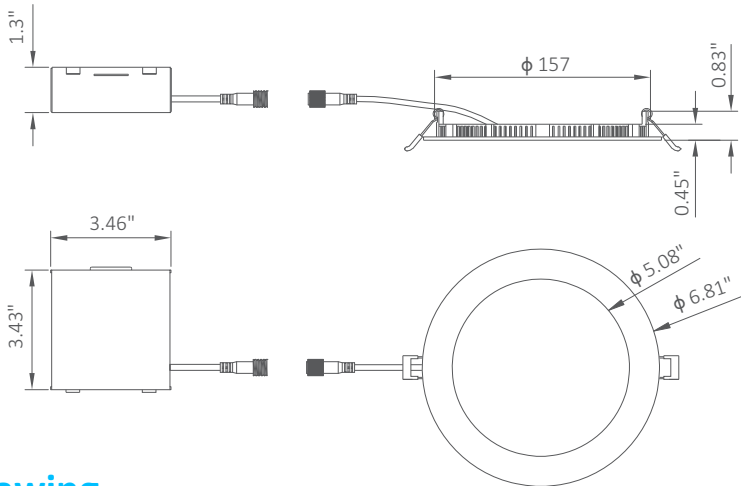


Dimensions (unit: inch)

4 inch



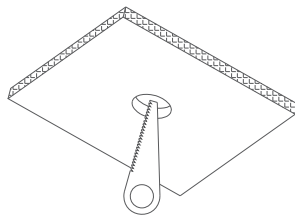
6 inch



Installation drawing

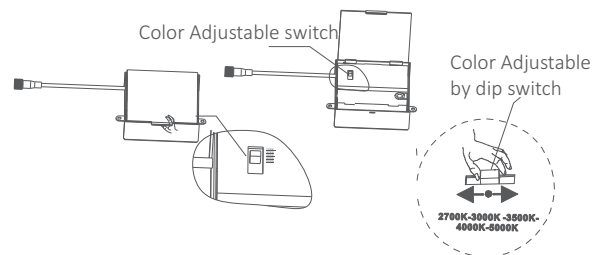
LED round panel light can perfect replace traditional down light, Low light pollution, excellent protection from eyestrain.

1. Drill hole according model

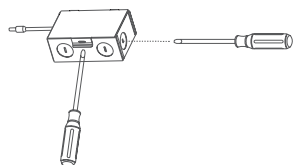


Note: Please check the hole size at model list table

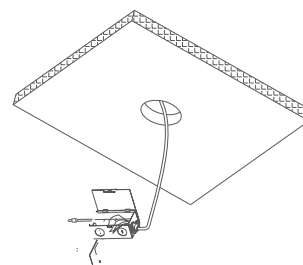
2. Before installation, please slide the dip switch to the right color temperature at the driver box.

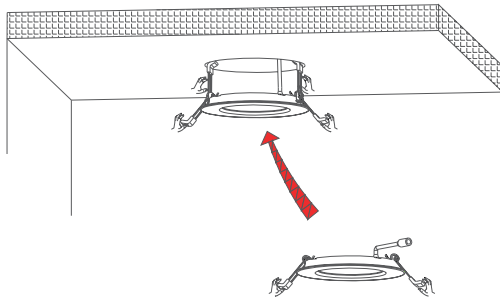


3. Rotate right-handed with slotted screwdriver to remove the top cover. Open the side knockout of the junction box with slotted screwdriver.



4. White wire is connected to N; black wire is connected to L; and yellow wire is connected to G.





Installation requirements

- Power off before installation;
- Drill proper hole into the ceiling according to product model;
- Connect AC wire;
- Embed the light into ceiling hole;
- Light up and test, installation finish.

Dimmer Compatibility List 12W

Number	Dimmer Brand Model	Power	Max. output current(=mA)	Min. output current(=mA)	Max. dimming ratio	Min. dimming ratio
1	LEVITON 6674	12W	268	10	93%	3%
2	LUTRON DVCL-153P	12W	267	23	93%	8%
3	LUTRON CTCL-153P	12W	267	16	93%	6%
4	LUTRON MACL-153M	12W	260	18	91%	6%
5	ELECTR/V/ART 40201	12W	280	30	98%	10%
6	LUTRON SCL-153P	12W	268	5	93%	2%
7	LEVITON 6633-P	12W	285	1	99%	0%
8	LEVITON 6613	12W	284	9	99%	3%
9	LEVITON 66EV	12W	284	59	99%	21%
10	LEVITON DDE06	12W	266	9	93%	3%
11	LUTRON SELV-303P	12W	271	19	94%	7%
12	LUTRON DVSCSELV-300P	12W	268	18	93%	6%

Dimmer Compatibility List 9W

Number	Dimmer Brand Model	Power	Max. output current(=mA)	Min. output current(=mA)	Max. dimming ratio	Min. dimming ratio
1	LEVITON 6674	9W	200	14	91%	6%
2	LUTRON DVCL-153P	9W	205	20	93%	9%
3	LUTRON CTCL-153P	9W	210	14	95%	6%
4	LUTRON MACL-153M	9W	207	16	94%	7%
5	ELECTR/V/ART 40201	9W	220	30	100%	14%
6	LUTRON SCL-153P	9W	208	5	95%	2%
7	LEVITON 6633-P	9W	208	1	95%	0%
8	LEVITON 6613	9W	217	9	99%	4%
9	LEVITON 66EV	9W	217	55	99%	25%
10	LEVITON DDE06	9W	204	9	93%	4%
11	LUTRON SELV-303P	9W	207	19	94%	9%
12	LUTRON DVSCSELV-300P	9W	206	18	94%	8%