

# Full Cutoff wall pack

## Features

- Suitable for WET location/Outdoor
- 90W-145W power consumption, to replace 250-400W MH
- Lumen output 9300-14000lm, CCT are available at 3500, 4000K and 5000K
- Type III polycarbonate optical lens with UV stabilizers
- 120-277V
- Built-in UL class 2 driver, optional for photocell
- UL listed and DLC qualified



## Applications

- Security, pathway and perimeter lighting
- Building entryways and walkways



# Specification

Specification/ Model	BL-WPF90W12V50KDP1	BL-WPF95W34V50KDP2	BL-WPF135W12V50KDP1	BL-WPF145W34V50KDP2
Input Power	90W	95W	135W	145W
Lumens output	9500lm	9500lm	14000lm	14000lm
Efficacy	106lm/W	100lm/W	104lm/W	97lm/W
CRI				
Color Temperature				
Input Voltage	120VAC	347VAC	120VAC	347VAC
Finish Color	Dark Bronze			
Optical Lens	Polycarbonate (UL Recognized) (f1) Suitable for outdoor use with respect to exposure to Ultraviolet Light, Water Exposure and Immersion in accordance with UL 746C			
Mounting	Wall Mounting			
Photocell	120V-277VAC (UL and CSA listed) 3/4in long threaded nipple,30-45 second time delay, Power Consumption: less than 0.9 watts at 120 VAC			

# Ordering Guide

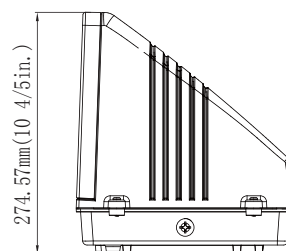
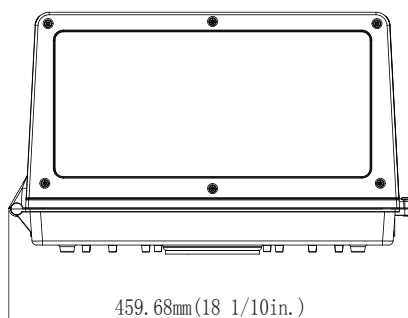
**EXAMPLE: WPF 90W 27V 40K D P1**

Fixture Type	Power Consumption	Input Voltage	CCT	Finish	Sensor (Option)
WPF Large Full Cutoff Wall Pack	90W 90Watts	12V 120V	35K 3500K	D Dark Bronze	P1 120V Photocell
	95W 95Watts	27V 120-277V	40K 4000K	B Black	P2 277V Photocell
	135W 135Watts	/230-277V	50K 5000K		Blank without Photocell
	145W 145Watts	34V 347V			

NOTES: 1. 277V driver operates on 120-277V (50/60 Hz), Specify 120 and 230-277 options only when ordering with photocell.  
2. 90W and 135W are limited to 120-277V input only; 95W and 145W are limited to 347V input only.

# Dimension

unit: inch/mm



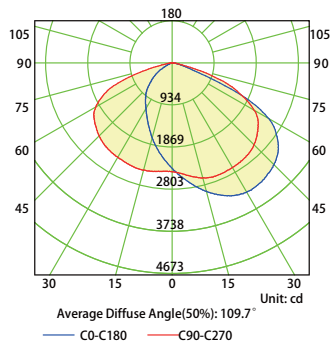
# Ordering Information

Ordering	Rated	Luminaire	Wattage	CCT	Initial	Luminaire	Rated	CRI	Power	Dimmable	Photocell	Certificate
Code	Voltage(VAC)	Shape	(W)		Lumens(lm)	Efficacy(lpw)	Life(hrs)		Factor			
BL-WPF90W27V40KD	120-277	Large Full Cutoff Wall Pack	90	4000K	9300	103	50000	82	0.9	NO	NO	UL / DLC
BL-WPF90W12V40KDP1	120	Large Full Cutoff Wall Pack	90	4000K	9300	103	50000	82	0.9	NO	YES	UL / DLC
BL-WPF90W27V40KDP2	230-277	Large Full Cutoff Wall Pack	90	4000K	9300	103	50000	82	0.9	NO	YES	UL / DLC
BL-WPF90W27V50KD	120-277	Large Full Cutoff Wall Pack	90	5000K	9500	106	50000	82	0.9	NO	NO	UL / DLC
BL-WPF90W12V50KDP1	120	Large Full Cutoff Wall Pack	90	5000K	9500	106	50000	82	0.9	NO	YES	UL / DLC
BL-WPF90W27V50KDP2	230-277	Large Full Cutoff Wall Pack	90	5000K	9500	106	50000	82	0.9	NO	YES	UL / DLC
BL-WPF95W34V40KD	347	Large Full Cutoff Wall Pack	95	4000K	9300	98	50000	82	0.9	NO	NO	UL
BL-WPF95W34V40KDP2	347	Large Full Cutoff Wall Pack	95	4000K	9300	98	50000	82	0.9	NO	YES	UL
BL-WPF95W34V50KD	347	Large Full Cutoff Wall Pack	95	5000K	9500	100	50000	82	0.9	NO	NO	UL
BL-WPF95W34V50KDP2	347	Large Full Cutoff Wall Pack	95	5000K	9500	100	50000	82	0.9	NO	YES	UL
BL-WPF135W27V40KD	120-277	Large Full Cutoff Wall Pack	135	4000K	13600	101	50000	82	0.9	NO	NO	UL / DLC
BL-WPF135W12V40KDP1	120	Large Full Cutoff Wall Pack	135	4000K	13600	101	50000	82	0.9	NO	YES	UL / DLC
BL-WPF135W27V40KDP2	230-277	Large Full Cutoff Wall Pack	135	4000K	13600	101	50000	82	0.9	NO	YES	UL / DLC
BL-WPF135W27V50KD	120-277	Large Full Cutoff Wall Pack	135	5000K	14000	104	50000	82	0.9	NO	NO	UL / DLC
BL-WPF135W12V50KDP1	120	Large Full Cutoff Wall Pack	135	5000K	14000	104	50000	82	0.9	NO	YES	UL / DLC
BL-WPF135W27V50KDP2	230-277	Large Full Cutoff Wall Pack	135	5000K	14000	104	50000	82	0.9	NO	YES	UL / DLC
BL-WPF145W34V40KD	347	Large Full Cutoff Wall Pack	145	4000K	13600	94	50000	82	0.9	NO	NO	UL
BL-WPF145W34V40KDP2	347	Large Full Cutoff Wall Pack	145	4000K	13600	94	50000	82	0.9	NO	YES	UL
BL-WPF145W34V50KD	347	Large Full Cutoff Wall Pack	145	5000K	14000	97	50000	82	0.9	NO	NO	UL
BL-WPF145W34V50KDP2	347	Large Full Cutoff Wall Pack	145	5000K	14000	97	50000	82	0.9	NO	YES	UL

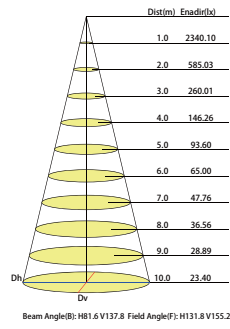
# Photometrics

WPF90W27V40KD WPF95W34V40KD

Luminous Intensity Distribution Curve

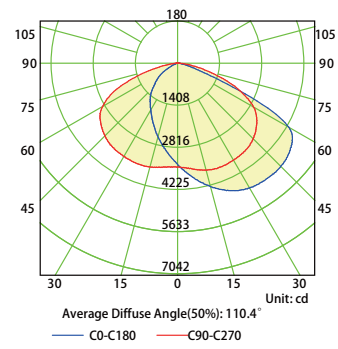


Illuminance at a Distance



WPF135W27V40KD WPF145W27V40KD

Luminous Intensity Distribution Curve



Illuminance at a Distance

