



BestLight LED
Redefining The LED Marketplace

Full Cutoff Wall Pack

Features

- Suitable for WET location/Outdoor
- 4800-7500lm, to replace 100-175W MH
- Type III polycarbonate optical lens with UV stabilizers
- Built-in UL class 2 driver, optional for photocell
- Available in durable polyester dark bronze or Black powder coat
- UL/DLC listed



Applications

- Security, pathway and perimeter lighting
- Building entryways and walkways



Specification

Specification/ Model	BL-WPF45W12V50KDPO	BL-WPF50W34V50KDPO	BL-WPF70W12V50KDPO	BL-WPF75W34V50KDPO
Input Power	45W	50W	70W	75W
Lumens output	4900lm	5000lm	7350lm	7500lm
Efficacy	109lm/W	100lm/W	105lm/W	100lm/W
CRI	82			
Color Temperature	5000K			
Input Voltage	120-277VAC	347VAC	120-277VAC	347VAC
Finish Color	Dark Bronze			
Optical Lens	Polycarbonate (UL Recognized) (f1) Suitable for outdoor use with respect to exposure to Ultraviolet Light, Water Exposure and Immersion in accordance with UL 746C			
Mounting	Wall Mounting			
Photocell	120V-277VAC (UL and CSA listed) 3/4in long threaded nipple,30-45 second time delay, Power Consumption: less than 0.9 watts at 120 VAC			

Ordering Guide

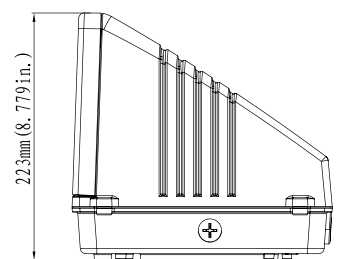
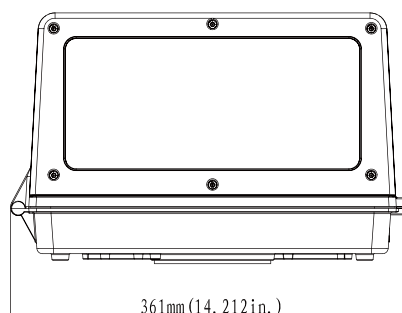
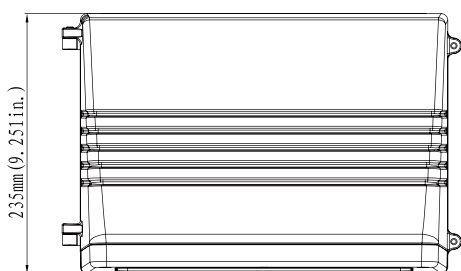
EXAMPLE: WPF 45W 12V 40K D P1

Fixture Type	Power Consumption	Input Voltage	CCT	Finish	Sensor (Option)
WPF Small Full Cutoff Wall Pack	45W 45Watts	12V 120V	40K 4000K	D Dark Bronze	P0 120-277V Photocell
	50W 50Watts	27V 120-277V	50K 5000K	B Black	P1 120V Photocell
	70W 70Watts	34V 347V		W White	Blank Without Photocell
	75W 75Watts				

- NOTES: 1. 277V driver operates on 120-277V (50/60 Hz), Specify 120 options only when ordering with photocell.
 2. 45W and 70W are limited to 120-277V input only; 50W and 75W are limited to 347V input only.
 3. 347V Photocell is only suitable for 50W and 75W .

Dimension

unit: inch/mm

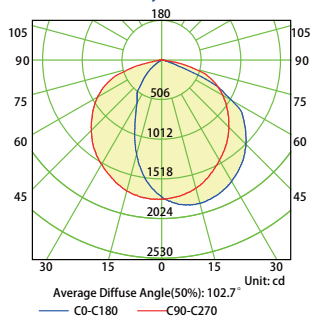


Ordering Information

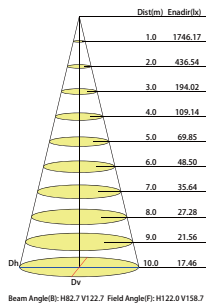
Ordering	Rated	Luminaire	Wattage	CCT	Initial	Luminaire	Rated	CRI	Power	Dimmable	Photocell	Certificate
Code	Voltage(VAC)	Shape	(W)		Lumens(lm)	Efficacy(lpw)	Life(hrs)		Factor			
BL-WPF45W27V40KD	120-277	Medium Full Cutoff Wall Pack	45	4000K	4800	107	50000	82	0.9	NO	NO	UL DLC
BL-WPF45W27V40KDP0	120-277	Medium Full Cutoff Wall Pack	45	4000K	4800	107	50000	82	0.9	NO	YES	UL DLC
BL-WPF45W12V40KDP1	120	Medium Full Cutoff Wall Pack	45	4000K	4800	107	50000	82	0.9	NO	YES	UL DLC
BL-WPF45W27V50KD	120-277	Medium Full Cutoff Wall Pack	45	5000K	4900	109	50000	82	0.9	NO	NO	UL DLC
BL-WPF45W27V50KDP0	120-277	Medium Full Cutoff Wall Pack	45	5000K	4900	109	50000	82	0.9	NO	YES	UL DLC
BL-WPF45W12V50KDP1	120	Medium Full Cutoff Wall Pack	45	5000K	4900	109	50000	82	0.9	NO	YES	UL DLC
BL-WPF70W27V40KD	120-277	Medium Full Cutoff Wall Pack	70	4000K	7300	104	50000	82	0.9	NO	NO	UL DLC
BL-WPF70W27V40KDP0	120-277	Medium Full Cutoff Wall Pack	70	4000K	7300	104	50000	82	0.9	NO	YES	UL DLC
BL-WPF70W12V40KDP1	120	Medium Full Cutoff Wall Pack	70	4000K	7300	104	50000	82	0.9	NO	YES	UL DLC
BL-WPF70W27V50KD	120-277	Medium Full Cutoff Wall Pack	70	5000K	7350	105	50000	82	0.9	NO	NO	UL DLC
BL-WPF70W27V50KDP0	120-277	Medium Full Cutoff Wall Pack	70	5000K	7350	105	50000	82	0.9	NO	YES	UL DLC
BL-WPF70W12V50KDP1	120	Medium Full Cutoff Wall Pack	70	5000K	7350	105	50000	82	0.9	NO	YES	UL DLC
BL-WPF50W34V40KD	347	Medium Full Cutoff Wall Pack	50	4000K	4800	96	50000	82	0.9	NO	NO	UL DLC
BL-WPF50W34V40KDP0	347	Medium Full Cutoff Wall Pack	50	4000K	4800	96	50000	82	0.9	NO	YES	UL DLC
BL-WPF50W34V50KD	347	Medium Full Cutoff Wall Pack	50	5000K	5000	100	50000	82	0.9	NO	NO	UL DLC
BL-WPF50W34V50KDP0	347	Medium Full Cutoff Wall Pack	50	5000K	5000	100	50000	82	0.9	NO	YES	UL DLC
BL-WPF75W34V40KD	347	Medium Full Cutoff Wall Pack	75	4000K	7400	99	50000	82	0.9	NO	NO	UL DLC
BL-WPF75W34V40KDP0	347	Medium Full Cutoff Wall Pack	75	4000K	7400	99	50000	82	0.9	NO	YES	UL DLC
BL-WPF75W34V50KD	347	Medium Full Cutoff Wall Pack	75	5000K	7500	100	50000	82	0.9	NO	NO	UL DLC
BL-WPF75W34V50KDP0	347	Medium Full Cutoff Wall Pack	75	5000K	7500	100	50000	82	0.9	NO	YES	UL DLC

Photometrics

Luminous Intensity Distribution Curve

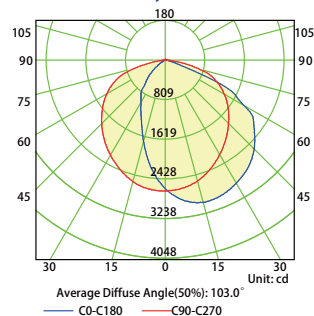


Illuminance at a Distance



WPF70W27V50KD

Luminous Intensity Distribution Curve



Illuminance at a Distance

