

Features

- Sealed die-casting profile for outdoor applications
- Available with Type II and Type III photometry
- Head tilts max 20degree for different lighting purpose
- Replacing 50-100W HID
- Lumen output from 2000-4500lm with efficacy of 100lm/W
- Built-in UL class 2 driver, optional for photocell
- UL listed and DLC qualified



Applications

- Security, pathway and perimeter lighting
- Building entryways and walkways



Specification

Specification/Model	BL-WPI20W27V50KD	BL-WPI30W27V50KD	BL-WPI40W27V50KD
Input Power	20W	30W	40W
Lumens output	2000lm	3000lm	4500lm
Efficacy	100 lm/W	100 lm/W	112 lm/W
CRI	72		
Color Temperature	5000K		
Input Voltage	120-277VAC	120-277VAC	120-277VAC
Finish Color	Dark Bronze		
Lens	Glass		
Mounting	Fits electrical box and wall mount directly		
Photocell	120/277VAC (UL and CSA listed) 1/2 in long threaded nipple, 30-45 second time delay, Power Consumption: less than 0.9 watts at 120 VAC		

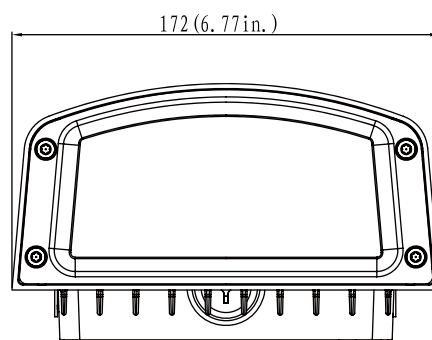
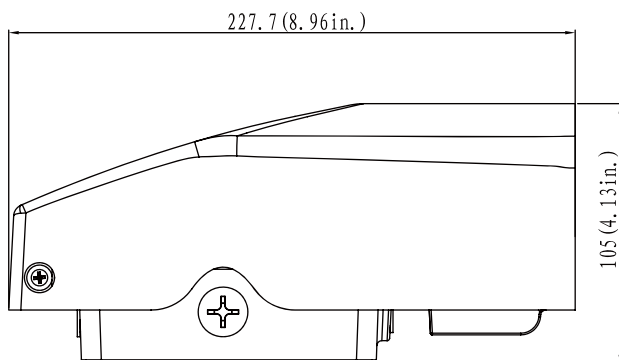
Ordering Guide

EXAMPLE: WPI 20W 27V 40K D P1

Lamp Type	Power Consumption	Input Voltage	CCT	Finish	Sensor (Option)
WPI FULL CUTOFF Wall Pack LED Intergrated	20W 20Watts	27V 120-277V	35K 3500K	D Dark Bronze	P1 120V Photocell
	30W 30Watts	34V 347-380V	40K 4000K	B Black	P2 277V Photocell
	40W 40Watts		50K 5000K		P3 347-380V Photocell
			57K 5700K		Blank Without Photocell

Dimension

unit: inch/mm

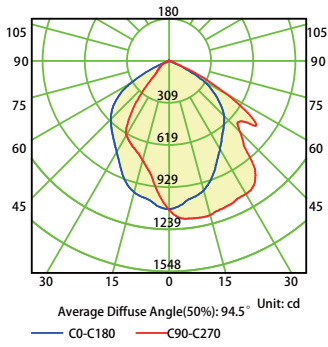


Ordering Information

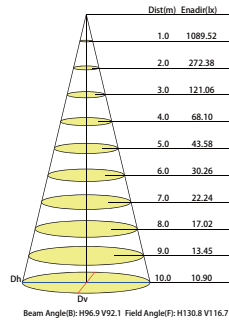
ordering	input	Lamp	Wattage	CCT	Initial	lamp	Rated	CRI	Power	Photocell	Certificate
Code	voltage(VAC)	Shape	(W)		Lumens(lm)	Efficacy(lpw)	life(hrs)		Factor		
BL-WPI20W27V40KD	120-277	Full Cutoff Wall Pack	20	4000	2000	100	50000	72	0.9	NO	UL / DLC
BL-WPI20W27V40KDP1	120	Full Cutoff Wall Pack	20	4000	2000	100	50000	72	0.9	YES	UL / DLC
BL-WPI20W27V40KDP2	277	Full Cutoff Wall Pack	20	4000	2000	100	50000	72	0.9	YES	UL / DLC
BL-WPI20W27V50KD	120-277	Full Cutoff Wall Pack	20	5000	2000	100	50000	72	0.9	NO	UL / DLC
BL-WPI20W27V50KDP1	120	Full Cutoff Wall Pack	20	5000	2000	100	50000	72	0.9	YES	UL / DLC
BL-WPI20W27V50KDP2	277	Full Cutoff Wall Pack	20	5000	2000	100	50000	72	0.9	YES	UL / DLC
BL-WPI30W27V40KD	120-277	Full Cutoff Wall Pack	30	4000	3000	100	50000	72	0.9	NO	UL / DLC
BL-WPI30W27V40KDP1	120	Full Cutoff Wall Pack	30	4000	3000	100	50000	72	0.9	YES	UL / DLC
BL-WPI30W27V40KDP2	277	Full Cutoff Wall Pack	30	4000	3000	100	50000	72	0.9	YES	UL / DLC
BL-WPI30W27V50KD	120-277	Full Cutoff Wall Pack	30	5000	3000	100	50000	72	0.9	NO	UL / DLC
BL-WPI30W27V50KDP1	120	Full Cutoff Wall Pack	30	5000	3000	100	50000	72	0.9	YES	UL / DLC
BL-WPI30W27V50KDP2	277	Full Cutoff Wall Pack	30	5000	3000	100	50000	72	0.9	YES	UL / DLC
BL-WPI40W27V40KD	120-277	Full Cutoff Wall Pack	40	4000	4500	112	50000	72	0.9	NO	UL / DLC*
BL-WPI40W27V40KDP1	120	Full Cutoff Wall Pack	40	4000	4500	112	50000	72	0.9	YES	UL / DLC*
BL-WPI40W27V40KDP2	277	Full Cutoff Wall Pack	40	4000	4500	112	50000	72	0.9	YES	UL / DLC*
BL-WPI40W27V50KD	120-277	Full Cutoff Wall Pack	40	5000	4500	112	50000	72	0.9	NO	UL / DLC*
BL-WPI40W27V50KDP1	120	Full Cutoff Wall Pack	40	5000	4500	112	50000	72	0.9	YES	UL / DLC*
BL-WPI40W27V50KDP2	277	Full Cutoff Wall Pack	40	5000	4500	112	50000	72	0.9	YES	UL / DLC*
BL-WPI40W34V40KD	347-380V	Full Cutoff Wall Pack	40	4000	4500	112	50000	72	0.9	NO	UL / DLC*
BL-WPI40W34V50KDP3	347-380V	Full Cutoff Wall Pack	40	4000	4500	112	50000	72	0.9	YES	UL / DLC*
BL-WPI40W34V50KD	347-380V	Full Cutoff Wall Pack	40	5000	4500	112	50000	72	0.9	NO	UL / DLC*
BL-WPI40W34V50KDP3	347-380V	Full Cutoff Wall Pack	40	5000	4500	112	50000	72	0.9	YES	UL / DLC*

Photometrics

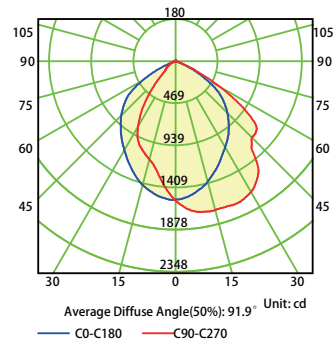
Luminous Intensity Distribution Curve



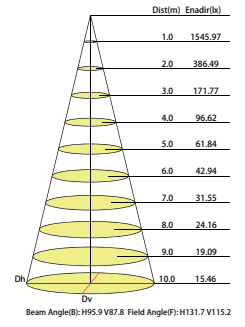
Illuminance at a Distance



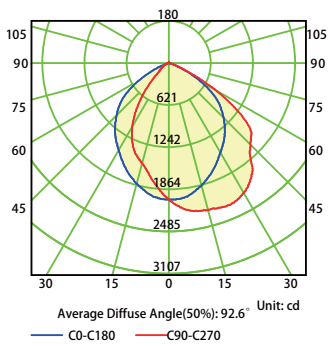
Luminous Intensity Distribution Curve



Illuminance at a Distance



Luminous Intensity Distribution Curve



Illuminance at a Distance

