



ADJUSTABLE FITTER MOUNTING



DIRECT MC



YOKE MOUNTING



NAME: LED ShoeBox Light

P/N: BL-SB-90-A-XYZ\_

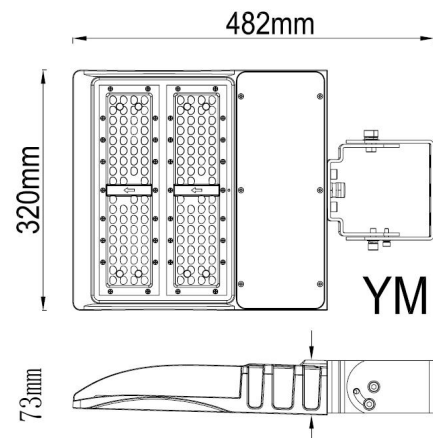
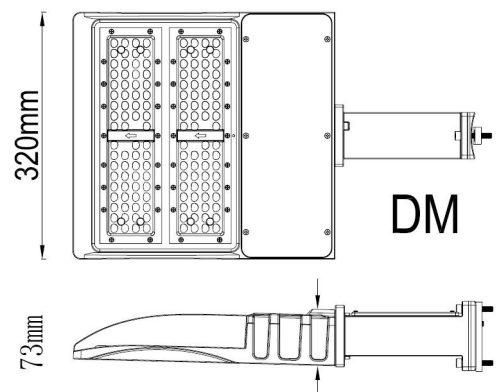
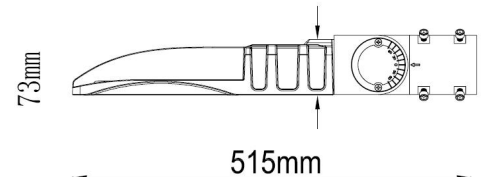
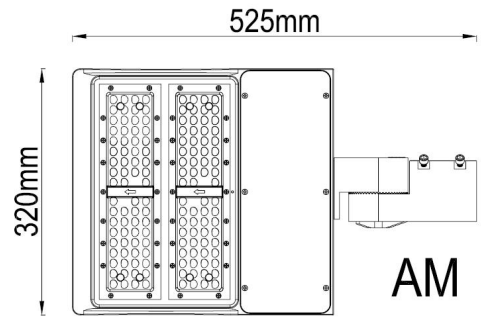
Note: The Letter X in P/N stands for  
AM: ADJUSTABLE FITTER MOUNTING  
DM: DIRECT MOUNTING  
YM: YOKE MOUNTING

### Advantage:

- UL cUL DLC certificate
- Philips Lumileds Chip, high CRI
- IP65 driver, Input voltage 100-277Vac
- 150\*85° lens angle
- Optional light-controlled and surge protection function
- No UV or IR in the beam
- Easy to install and operate
- Energy saving, Long lifespan
- Light is soft and uniform, Safe to eyes
- Instant start, NO flickering, NO humming
- Green and eco-friendly without mercury.

### Application:

- Outdoor basketball court, tennis court.
- Badminton court, the football field.
- The school playground, stadium.
- Community leisure entertainment plaza, road lamp etc.





### Product Specifications

Product name	LED ShoeBox Light
Part No	BL-SB-90-XYZ
Dimension	BL-SB-90-1YZ: 525x320x73mm BL-SB-90-2YZ: 515x320x73mm BL-SB-90-3YZ: 482x320x73mm

### Technical Characteristic

Color temperature	4000K	5000K	5700K
CRI	>70		
Lumen	12000-13000LM		
Lumen Efficacy	135-145 LM/W		
Input Power	90W		
Viewing Angle	150*85 Degree (Type III)		
Input Voltage	100-277Vac 50/60Hz		
Driver model	China Brand Driver		
PFC	>0.9		
Waterproof Rating	IP65		

### Materials

LED Brand	PHILIPS LUMILEDS
LED Type	LUXEON 3030 2D (1.5W)
LED QTY	112 PCS
Optional Accessory	Photocell Surge protector
Housing	Aluminum
Housing color	Black、Brown

### Others

Operating Temperature	-20℃ TO 45℃
Operating Humidity	20%-90% RH
Storage Temperature	-30℃ TO 80℃
Storage Humidity	10%-95%
Application	Outdoor / Indoor
Safety Certification	UL、cUL、DLC
Warranty Time	5 Years



**Light Distribution Testing Parameters**

DATA OF LAMP		PHOTOMETRIC DATA <span style="float: right;">Eff: 138.78 lm/W</span>			
MODEL		I <sub>max</sub> (cd)	6447	S/MH (C0/180)	1.81
NOMINAL POWER (W)	90	LOR (%)	100.0	S/MH (C90/270)	0.75
RATED VOLTAGE (V)	120	TOTAL FLUX (lm)	12412	η UP, DN (C0-180)	0.1, 67.0
NOMINAL FLUX (lm)	12411.9	CIE CLASS	DIRECT	η UP, DN (C180-360)	0.1, 32.8
LAMPS INSIDE	1	η up (%)	0.2	CIBSE SHR NOM	1.50
TEST VOLTAGE (V)	120.0	η down (%)	99.8	CIBSE SHR MAX	1.55

