



ADJUSTABLE FITTER MOUNTING



DIRECT MOUNTING



YOKE MOUNTING



NAME: LED ShoeBox Light

P/N: BL-SB-A-60-XYZ

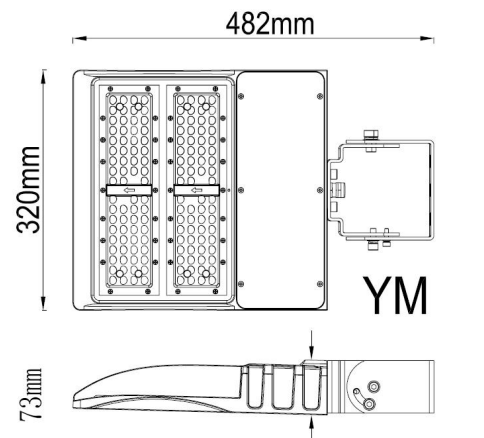
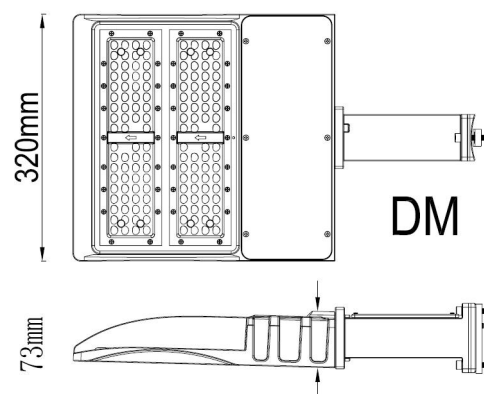
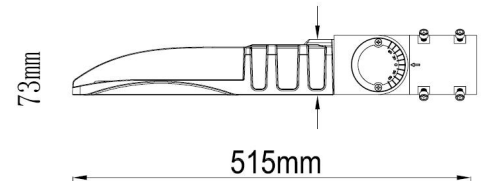
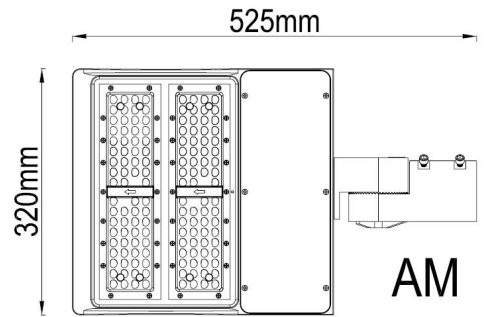
Note: The Letter X in P/N stands for
AM: ADJUSTABLE FITTER MOUNTING
DM: DIRECT MOUNTING
YM: YOKE MOUNTING

Advantage:

- UL cUL DLC certificate
- Philips Lumileds Chip, high CRI
- IP65 driver, Input voltage 100-277Vac
- 150*85° lens angle
- Optional light-controlled and surge protection function
- No UV or IR in the beam
- Easy to install and operate
- Energy saving, Long lifespan
- Light is soft and uniform, Safe to eyes
- Instant start, NO flickering, NO humming
- Green and eco-friendly without mercury.

Application:

- Outdoor basketball court, tennis court.
- Badminton court, the football field.
- The school playground, stadium.
- Community leisure entertainment plaza, road lamp etc.



**Product Specifications**

Product name	LED ShoeBox Light
Part No	BL-SB-A-60-XYZ
Dimension	BL-SB-A-60-1YZ: 525x320x73mm BL-SB-A-60-2YZ: 515x320x73mm BL-SB-A-60-3YZ: 482x320x73mm

Technical Characteristic

Color temperature	4000K	5000K	5700K
CRI	>70		
Lumen	8000-8700LM		
Lumen Efficacy	135-145 LM/W		
Input Power	60W		
Viewing Angle	150x85° TYPE III		
Input Voltage	100-277Vac	50/60Hz	
Driver model	China Brand Driver		
PFC	>0.9		
Waterproof Rating	IP65		

Materials

LED Brand	PHILIPS LUMILEDS
LED Type	LUXEON 3030 2D (1.5W)
LED QTY	84 PCS
Housing	Aluminum
Optional Accessory	Photocell Surge protector
Housing color	Black、Brown

Others

Operating Temperature	-20℃ TO 45℃
Operating Humidity	20%-90% RH
Storage Temperature	-30℃ TO 80℃
Storage Humidity	10%-95%
Application	Outdoor / Indoor
Safety Certification	UL、cUL、DLC
Warranty Time	5 Years



Light Distribution Testing Parameters

DATA OF LAMP		PHOTOMETRIC DATA Eff: 141.54 lm/W			
MODEL		I _{max} (cd)	3940	S/MH (C0/180)	1.83
NOMINAL POWER (W)	60	LOR (%)	100.0	S/MH (C90/270)	0.72
RATED VOLTAGE (V)	120	TOTAL FLUX (lm)	8474.0	η UP, DN (C0-180)	0.1, 66.8
NOMINAL FLUX (lm)	8474	CIE CLASS	DIRECT	η UP, DN (C180-360)	0.1, 33.1
LAMPS INSIDE	1	η up (%)	0.2	CIBSE SHR NOM	1.50
TEST VOLTAGE (V)	120.0	η down (%)	99.8	CIBSE SHR MAX	1.50

